



# Updated FCoE Models

T11/08-727v0, December 2008

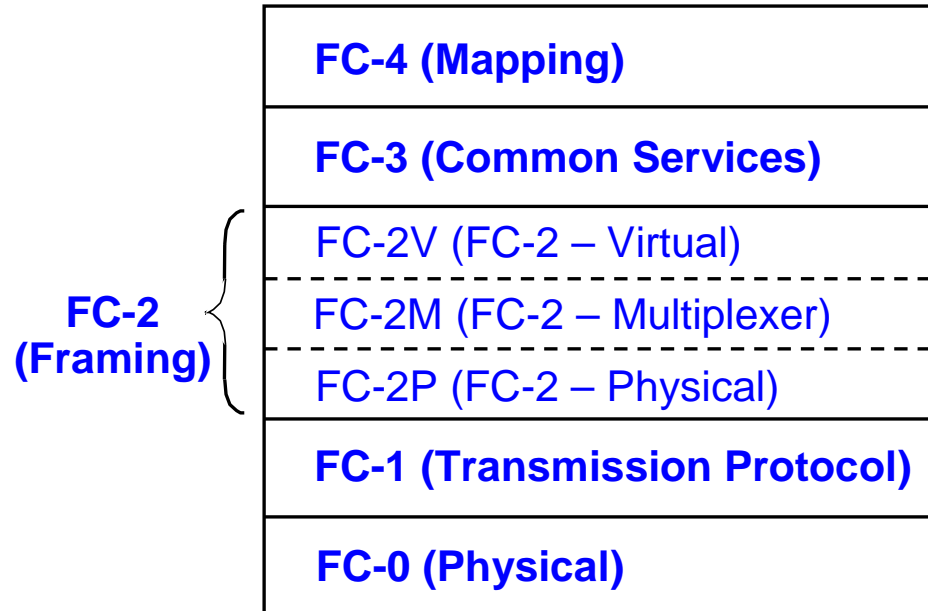
Claudio DeSanti

# Fibre Channel Virtualization Support

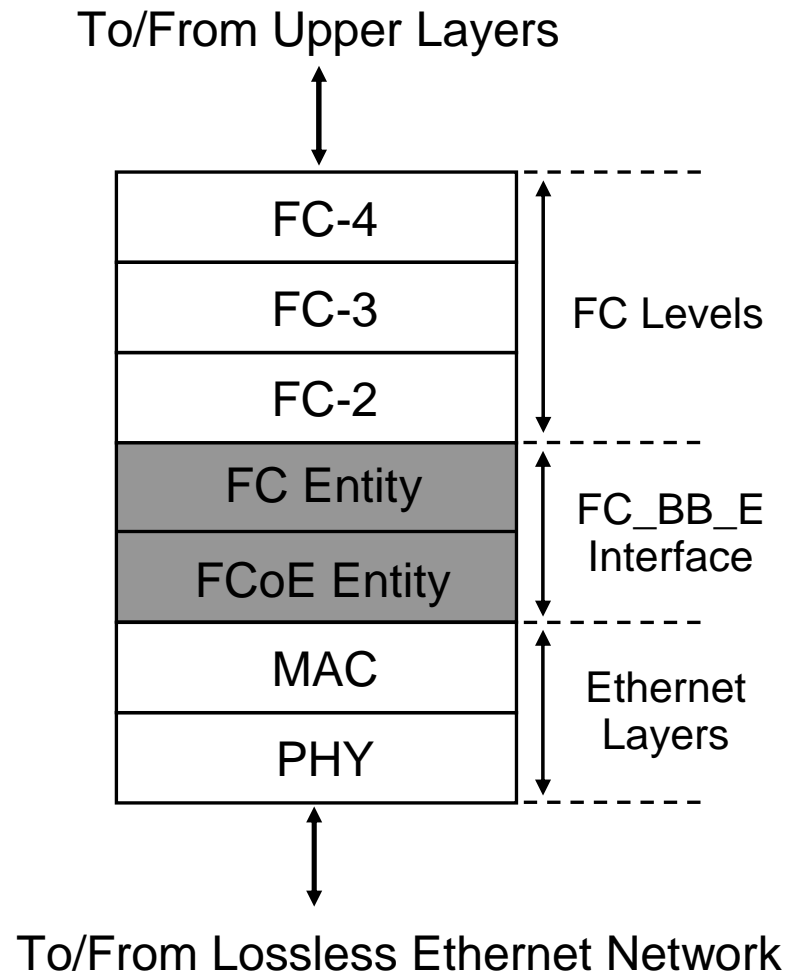
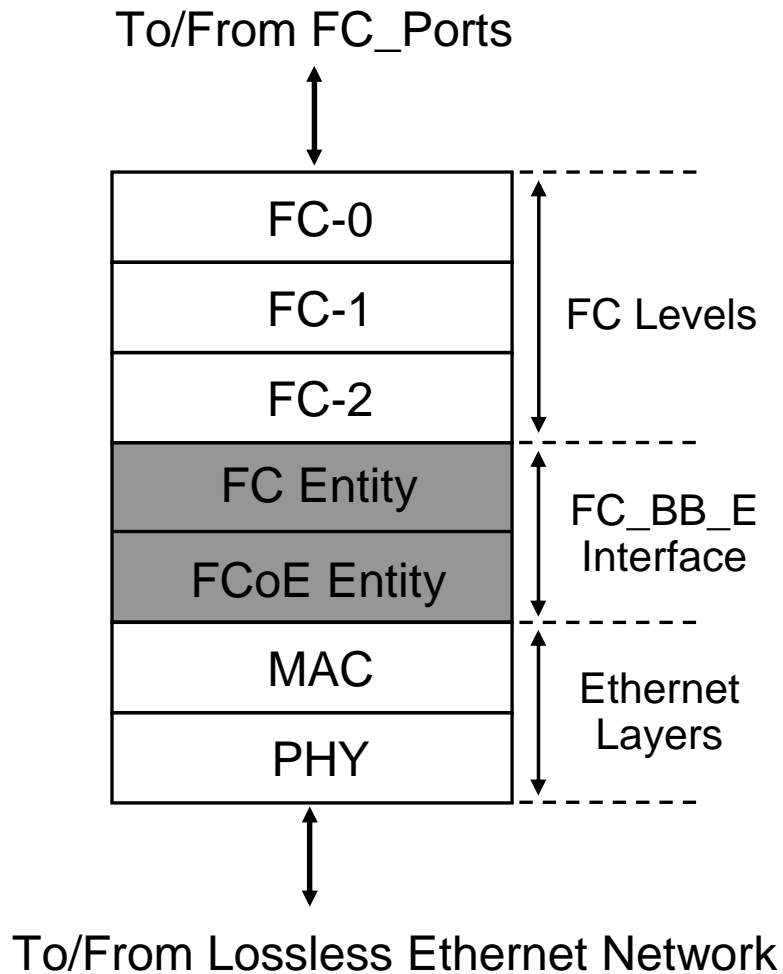
- **Fibre Channel models were not supporting existing virtualization practices when we started FC-BB-5**
- **After lot of work (ask Bob Nixon!) the current Fibre Channel models (finally) provide adequate virtualization support**
- **This allows significant simplifications of the FCoE models as well**

# Fibre Channel Levels

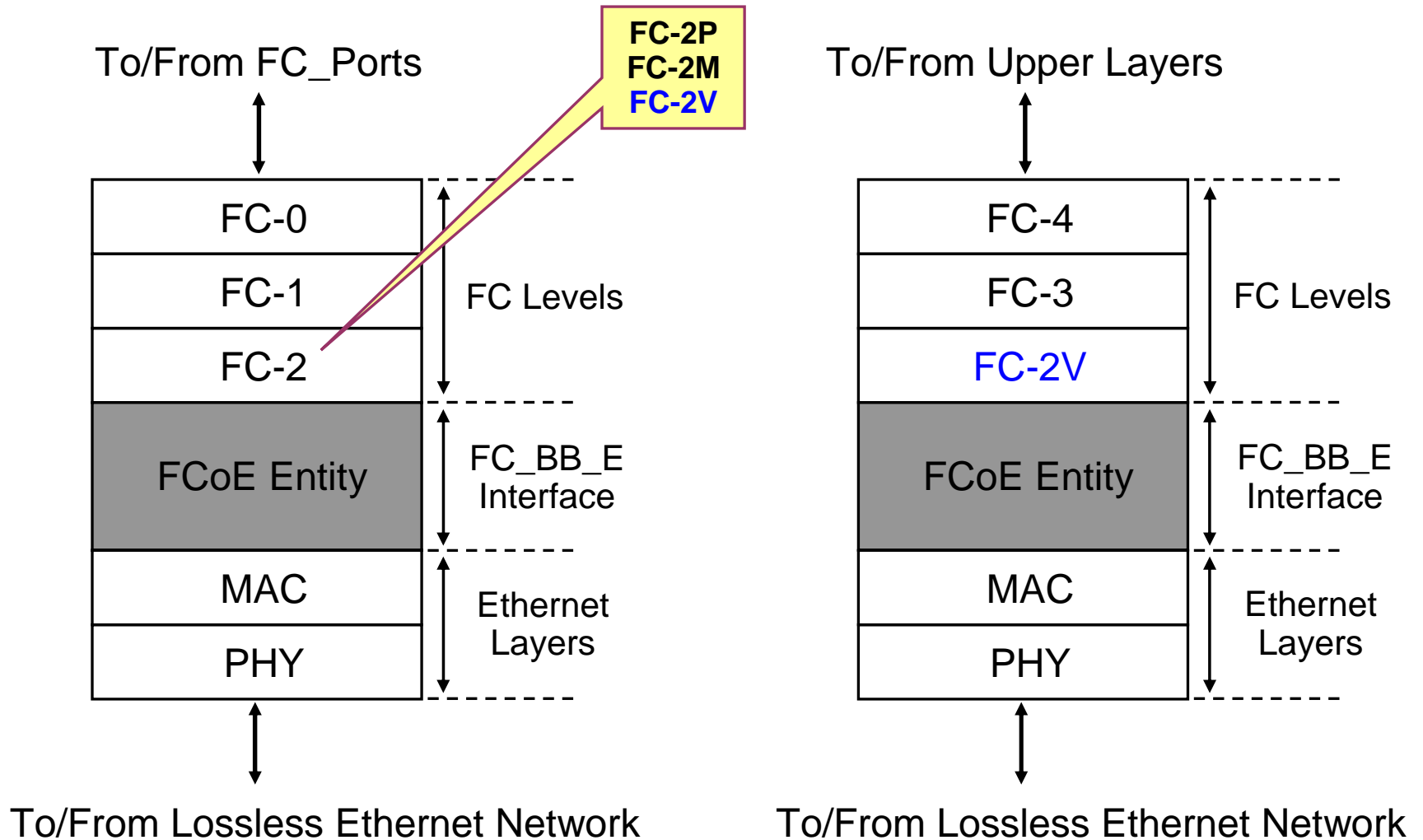
## Upper Layer Protocols



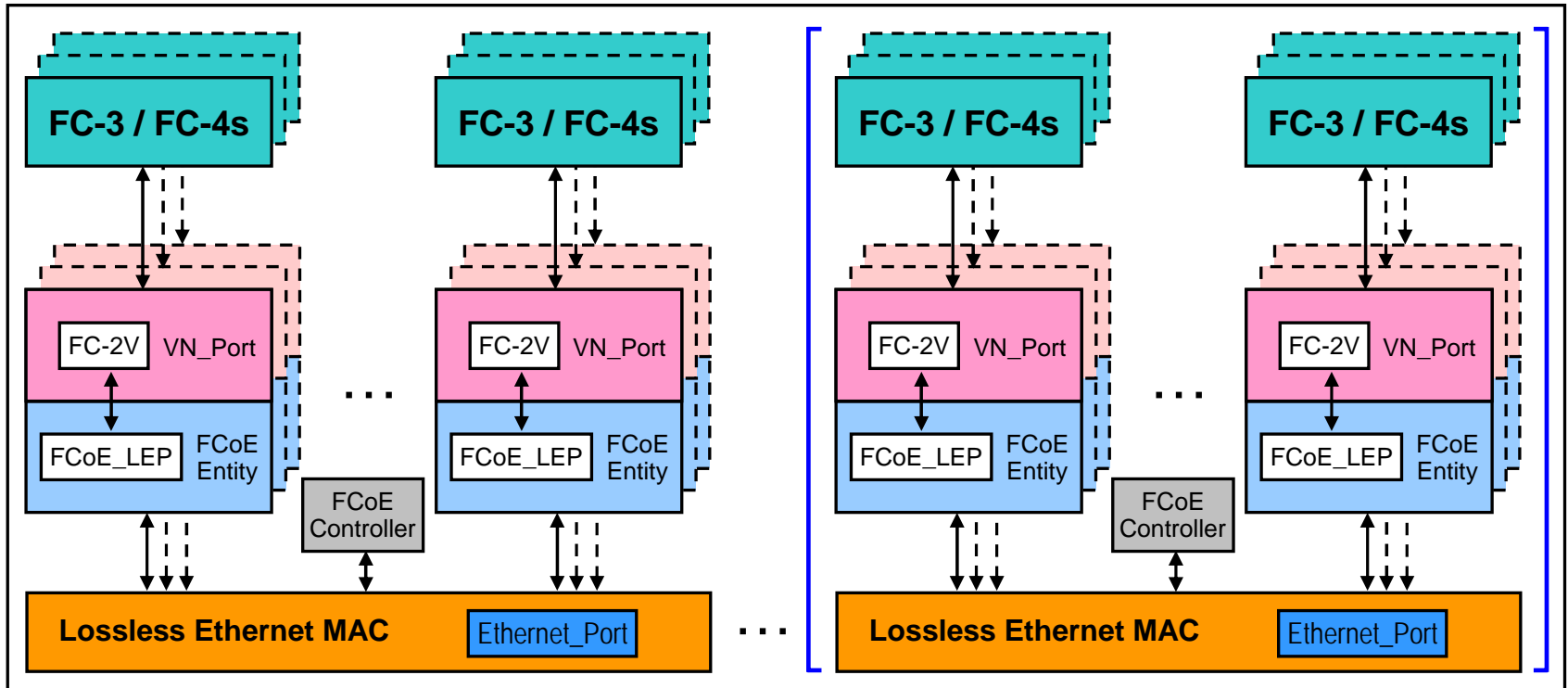
# Current FC\_BB\_E Protocol Layers



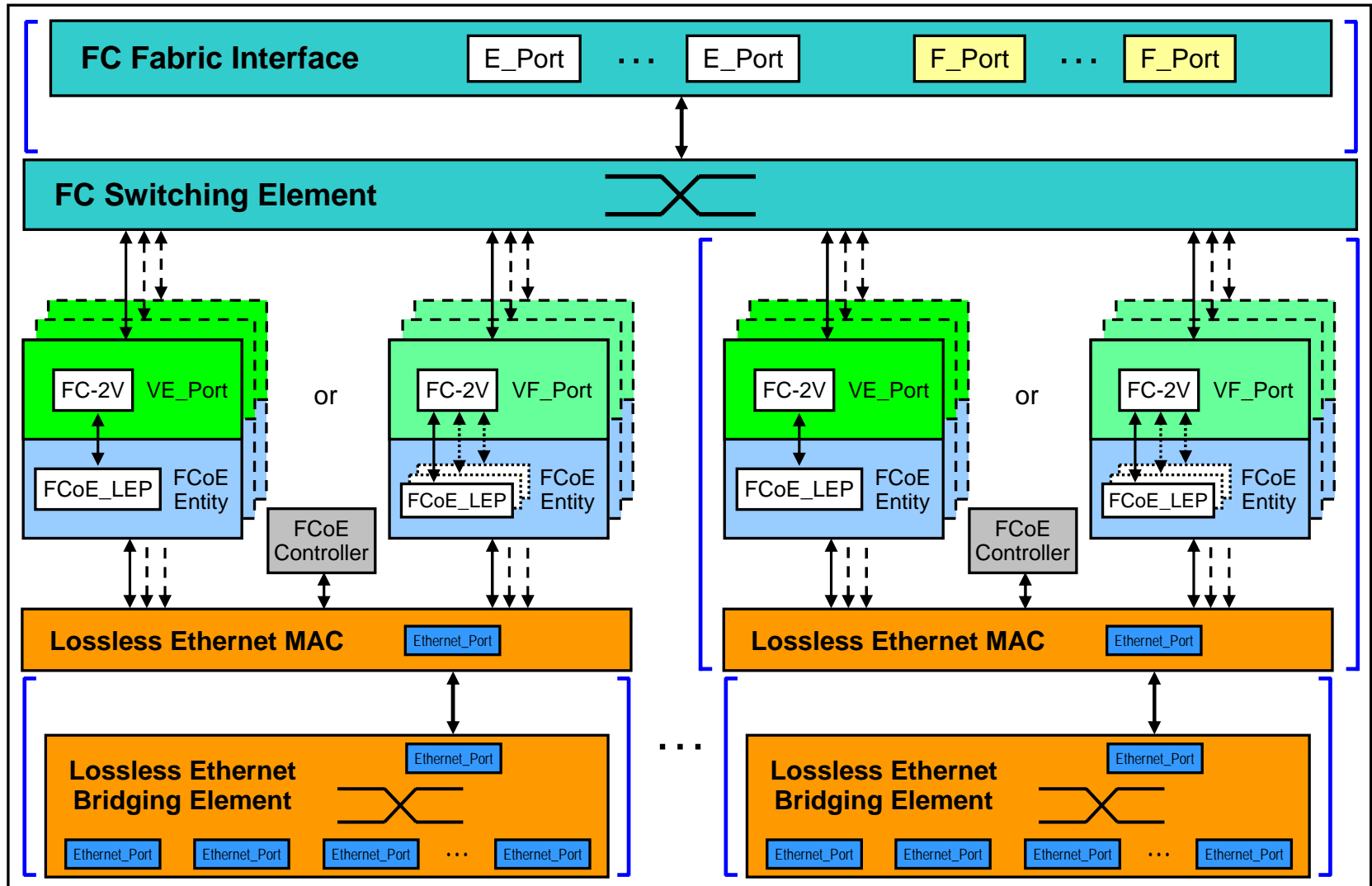
# Simplified FC\_BB\_E Protocol Layers



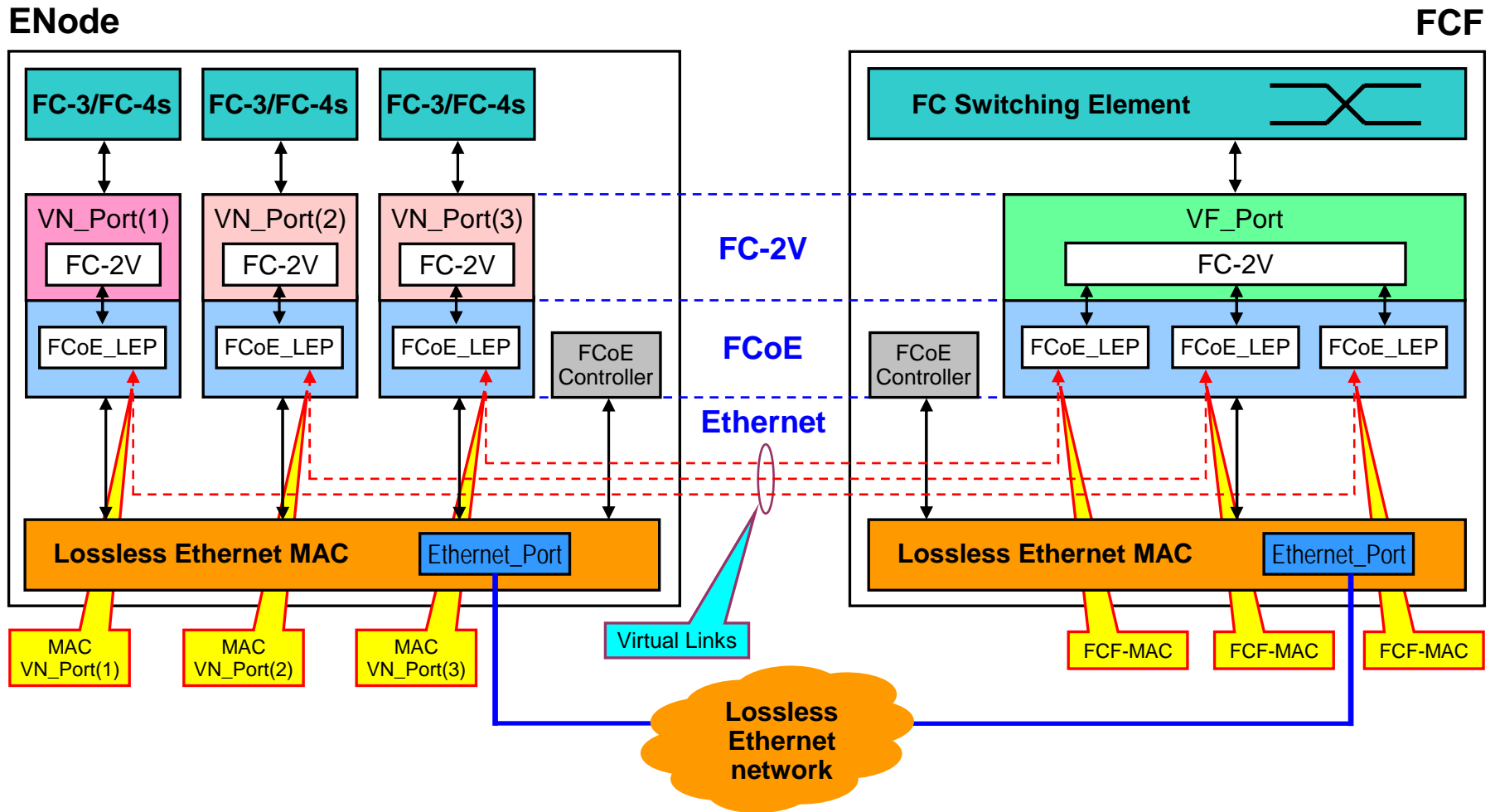
# ENode Model



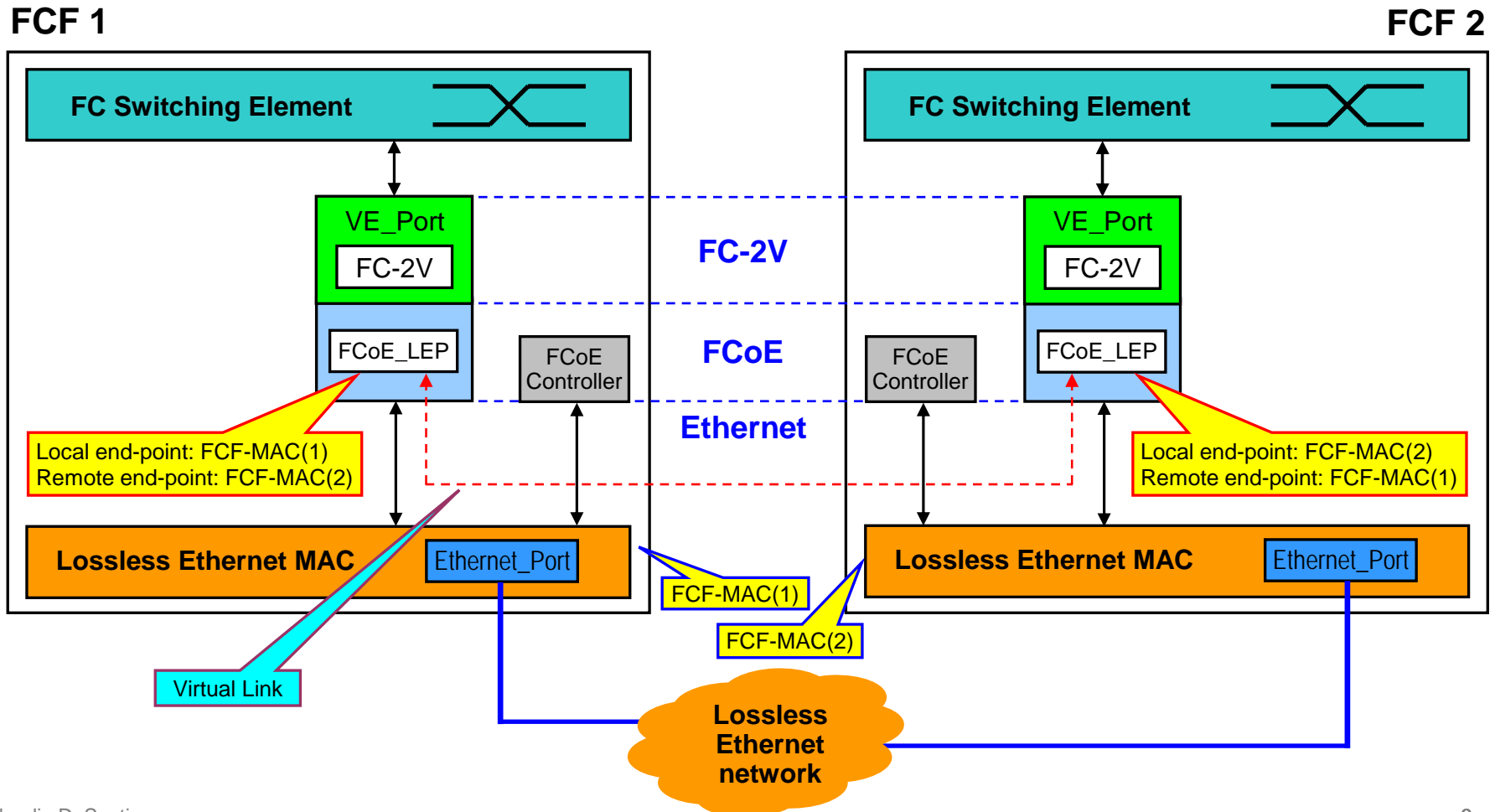
# FCF Model



# VN\_Port to VF\_Port Virtual Links



# VE\_Port to VE\_Port Virtual Link



Thank You