

## FC-BB-2 meeting 10/08/01 (San Diego, CA)

Steve Wilson called the meeting to order at 1:45pm (PDT) on Monday, October 08, 2001 and asked for introductions.

The minutes from the August T11 Plenary Ad Hoc meeting were approved without modifications.

The agenda:

- Old BB-2 Business
  - SanCastle Proposal, Harris (SanCastle)
- Scheduled New Business FC-BB-2
  - FCIP/IETF Status, Rajagopal (Lightsand)
  - FC-BB-2 Document Update, Rajagopal (Lightsand), 01-492v0
  - FC-BB-2 Model, Lamers (San Valley), 01-499v0
  - Configuration Server Enhancements, Penna (Lightsand) Tentative
  - Possible New Work Items, All
    - FC-BB-2 Service Considerations
    - FC Entity Routing Support
    - Time Sync
    - Discovery
    - FC-BB-2 Management
- Unscheduled new BB-2 Business
  - FC-BB-2 Model, Helland (Lightsand)

### Review of Action Items

- **Action Item #4: Steve Wilson to request management companies to discuss discovery techniques.** Carryover.
- **Action Item #12: All to investigate interoperability issues with respect to Norm's proposal.** Overtaken by events.
- **Action Item #15 – All to investigate new requirements for management and forward them to Steve Wilson.** No feedback received as of this meeting.
- **Action Item #16 – Steve Wilson to look at management and fabric configuration server extensions to support FC-BB-2.** Will be presented today.
- **Action Item #18 – McDATA to present FCIP Management MIB Update.** Will be presented today.
- **Action Item #19 – Norm Harris to rework his FCIP proposal to relate to the current version of FC-BB-2.** Done.
- **Action Item #20 – Steve Wilson to send out a reflector message saying that there will be a vote on the inclusion of SANcastle's mapping of FC to GbE in October.** Done.
- **Action Item #21 – Murali Rajagopal to add a note in BB2 to say that BBW SONET mapping is different from the native SONET mapping being defined in 10GFC.** Carryover.
- **Action Item #22 – Murali Rajagopal to incorporate document 01-322v1 into the next draft of BB-2.** Carryover.
- **Action Item #23 – Murali Rajagopal to post to the reflector a list of topics that the group needs to address and ask for companies to volunteer to make presentations on these topics.** Done.

### *Status*

The goal of BB-2 is to have this standard sent out to letter ballot by April 2002. Steve will plan on letting certain issues die from lack of interest if no one supports them. FC-BB will focus on the FCIP work and add other topics of interest when proposals are brought forward. Management and Routing are topics that we would like to see proposals for. Murali will raise some topics that will need further work based upon his review of 01-322v1.

A vote will be taken in October as to whether SANcastle's mapping of FC to GbE will be included in BB-2.

**SanCastle Proposal, Harris (SanCastle)**

SAN Castle withdraws its FC to GbE mapping proposal.

**FCIP/IETF Status, Rajagopal (Lightsand)**

Presentation slides for this subject will be posted to the T11 document archive by Murali.

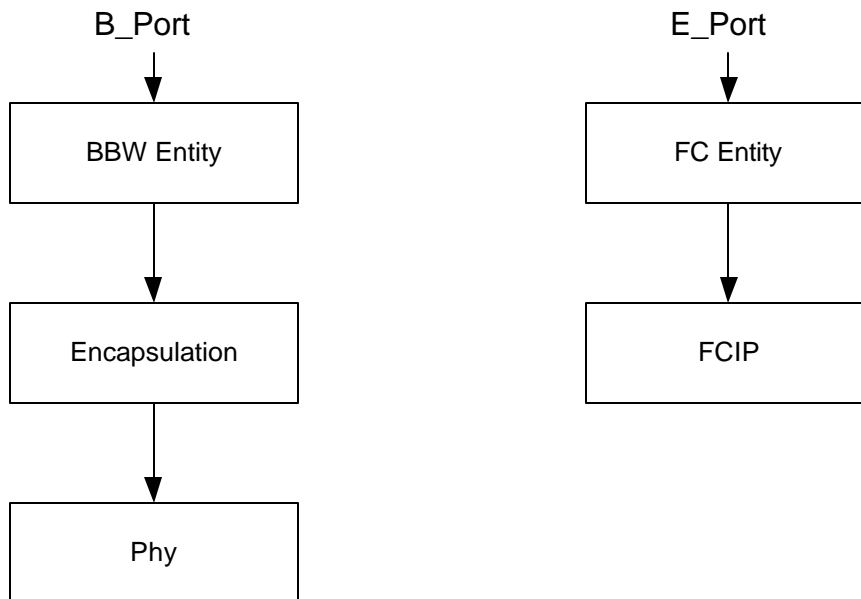
Murali gave a synopsis of recent FCIP progress.

Charles Monia gave a synopsis of recent iFCP progress. iFCP believe it is ready for last call.

**FC-BB-2 Document Update, Rajagopal (Lightsand), 01-492v0**

Updated Figure 1 in the FC-BB-2 draft based on comments from the last meeting.

There was extensive discussion on whether there is an interface being defined in Figure 1 between the FC Entity and FCIP and if the FC Entity applies to both FC-BB and FCIP. Various parties had different interpretations of the figure. It was pointed out that Figure 1 attempts to show the relationship between previous FC-BB work and FC-BB-2 work. It was agreed to modify Figure 1 so that there is a BBW Entity and BB-2 Entity instead of a single FC Entity (see below).



Side discussion on whether B\_Port is viable for FCIP. Bob Snively proposed that only B\_Port be specified for BBW and E\_Port for FCIP. If someone presents a proposal to add B\_Port functionality to FCIP, it can be added.

Also discussed changes in clause 13.

**FC-BB-2 Model, Helland (Lightsand), 01-526v0**

Clarified role of VE Entity (Virtual E\_Port Entity). VE Entity is part of FC Entity.

One difference from previous presentations is that this presentation shows one FC Entity for all VE Entities. Previous discussions assumed that there was one FC Entity for each VE Entity.

Consensus is that multiple FCIP links between the same entities is legal.

**FC-BB-2 Model, Lamers (San Valley), 01-499v0**

Presentation wasn't posted to T11 web site before the meeting.

There was general agreement that this presentation and the 01-526v0 presentation were essentially the same.

Larry will update his presentation and submit it to the T11 web site.

**Configuration Server Enhancements, Penna (Lightsand), 01-515v0**

This presentation will also be given in the FC-GS-4 working group session. Presentation in this working group is to illustrate BB-2 management aspects.

Proposal for how to extend Management Server to include FC-BB-2 functionality management.

Will introduce a new Interconnect Element type (gateway). A gateway is different from the current bridge (with B\_Ports) concept.

There was extensive discussion about the difference between gateway and switch Interconnect Element types and why there needs to be a distinction between the two. There was a tentative decision to eliminate the gateway Interconnect Element type and rely on a new Port type (VE\_Port to detect virtual ISL). Also discussion on changing the gateway name to something else.

Would like feedback on Port Transport Types.

**Possible New Work Items, All**

*FC-BB-2 Service Considerations*

*FC Entity Routing Support*

Needs to have documentation in both FC-SW-3 and FC-BB-2. Need to evaluate flat and hierarchical routing models. Some information is in 01-342.

*Time Sync*

Need to resolve issues dealing with supporting both Fibre Channel and Internet Time Servers. Someone needs to bring in a proposal.

*Discovery*

How will B\_Port will be discovered? Need to look at issues concerning B\_Ports.

*FC-BB-2 Management*

How will B\_Port will be supported by FC-BB-2 Management?

**Action Items**

- **Action Item #4: Steve Wilson to request management companies to discuss discovery techniques.**
- **Action Item #15 – All to investigate new requirements for management and forward them to Steve Wilson.**
- **Action Item #21 – Murali Rajagopal to add a note in BB2 to say that BBW SONET mapping is different from the native SONET mapping being defined in 10GFC.**
- **Action Item #22 – Murali Rajagopal to incorporate document 01-342v1 into the next draft of BB-2.**
- **Action Item #24 – Murali Rajagopal to incorporate agreed changes to figure 1 in FC-BB-2.**

- **Action Item #25 – Andy Helland and Larry Lamers will combine their model presentations in a single set of diagrams.**
- **Action Item #26 – Steve Wilson to arrange an FC-BB-2 conference call to discuss model diagrams (2<sup>nd</sup> week in November, 1-3pm during FCIP authors conference call).**
- **Action Item #27 - All. Investigate FC-BB-2 B\_Port interoperability clarification.**
- **Action Item #28 – Murali Rajagopal and Ralph Weber will work together to create an FC-BB-2 Service Considerations proposal.**
- **Action Item #29 – Raj Bhagwat will present a FC Entity Routing Support proposal using existing algorithms.**
- **Action Item #30 – Ralph Weber will present a Time Sync proposal.**
- **Action Item #31 – All. Need to look at Discovery and FC-BB-2 Management.**

**Attendees:**

Charles Binford	charles.binford@pirus.com
Rich Ramos	rich@chi.mti.com
Greg Koellner	gregory.koellner@inrange.com
Bret Ketchum	bretk@cnt.com
Scott Kipp	scott.Kipp@mcddata.com
Masamitsu Kai	masamitsu.kai@am.sony.com
Jeff Mendiola	jeff.mendiola@asd.sel.sony.com
Norm Harris	nharris@sancastle.com
John Tyndall	jtyndall@crossroads.com
Mike Morandi	mike_morandi@cnt.com
Bill Collette	billc@cnt.com
Claudio Desanti	cds@andiamo.com
Ahmad Tawil	Ahmad_Tawil@dell.com
Louis Odenwald	louis.odenwald@lsil.com
Neil Wanamaker	nwanamaker@akara.com
Mike Penna	mikep@lightsand.com
Raj Bhagwat	ragb@lightsand.com
Richard Sun	richards@lightsand.com
Bob Kembel	kembel@compuserve.com
Ken Moe	kenneth.moe@sun.com
Harry Paul	harry.paul@inrange.com
Ken Hirata	ken.hirata@vixel.com
Jim Nelson	jnelson@vixel.com
Steve Wilson	swilson@brocade.com
Bob Snively	rsnively@brocade.com
Neil MacLean	neil_maclean@adaptec.com
Horst Truedtedt	hotrues@attglobal.net
Elizabeth Rodriguez	egrodriguez@lucent.com
Larry Lamers	ljlamers@ieee.org
Dave Peterson	dap@cisco.com
Ed McGlaughlin	ed.mcgloughlin@qlogic.com
Pete Hartigan	pete@sbvc.com
Khaled Amer	amer@amernet.net
Charles Monia	cmonia@nishansystems.com
Murali Rajagopal	muralir@lightsand.com

**Next Meeting**

Request 3 hours for BB-2 meeting during December T11 Plenary week.

This meeting adjourned at 5:12pm (PDT).